

Sheet: TubePreAmpPowerInput



File: TubePreAmpPowerInput.sch

+V

-V

Sheet: TubePreAmpPower2



File: TubePreAmpPower2.sch

+28V

-28V

Sheet: Audio



File: Audio.sch

TechIsSoCool.com

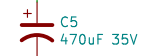
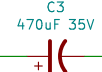
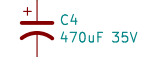
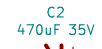
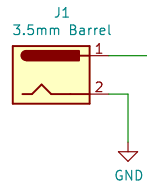
Sheet: /
File: TubePreAmp.sch

Title: 6J1 Vacuum Tube Preamp

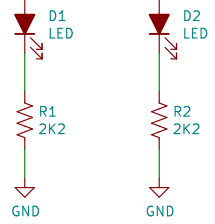
Size: A4 Date:
KiCad E.D.A. kicad (5.1.10)-1

Rev:
Id: 1/4

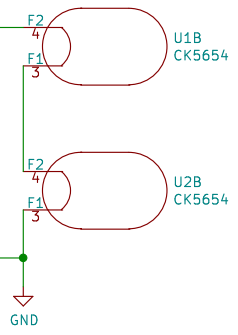
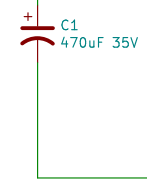
Power Input
12VAC
0.8A (min)



Greinacher Voltage Quadrupler

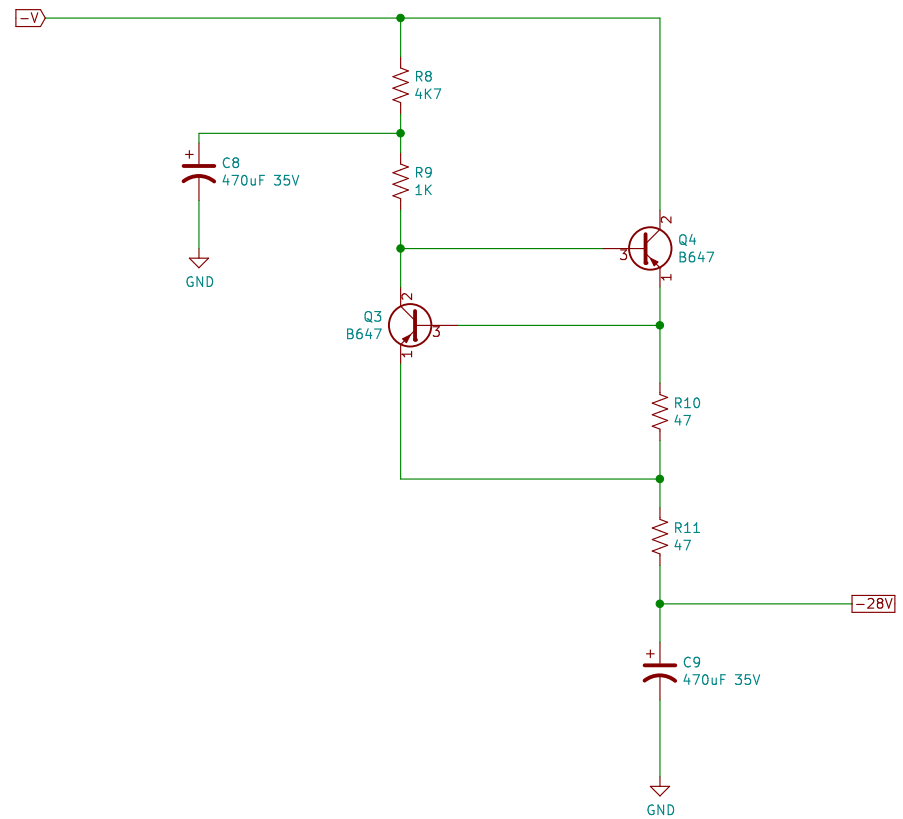
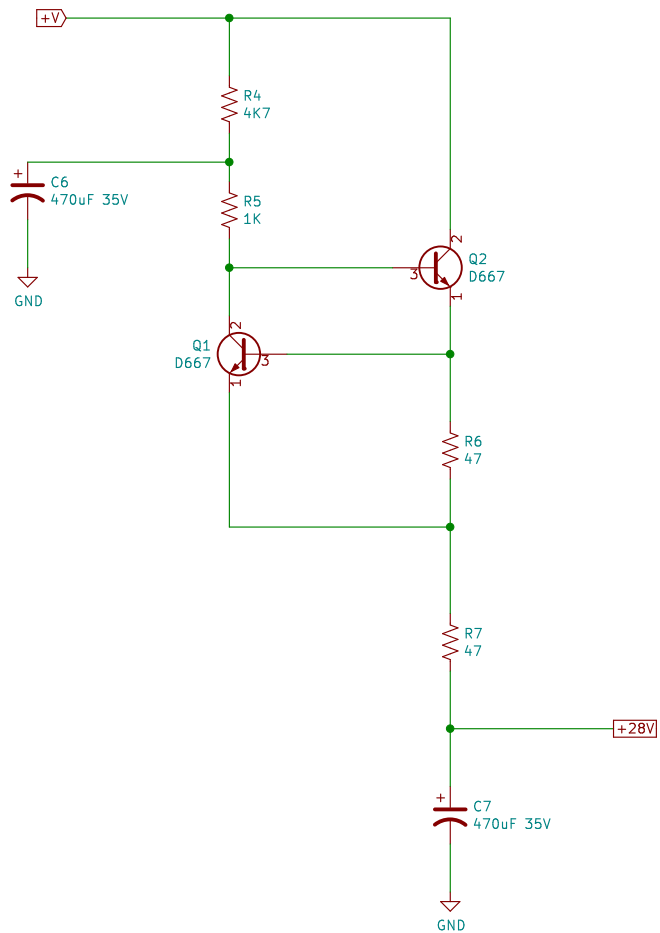


Tube LEDs



Tube Heaters
36 Ohm each
6.3V each

TechIsSoCool.com		
Sheet: /TubePreAmpPowerInput/ File: TubePreAmpPowerInput.sch		
Title: 6J1 Vacuum Tube Preamp		
Size: A4	Date:	Rev:
KiCad E.D.A. kicad (5.1.10)-1		Id: 2/4



Constant Current Sources for +28V and -28V

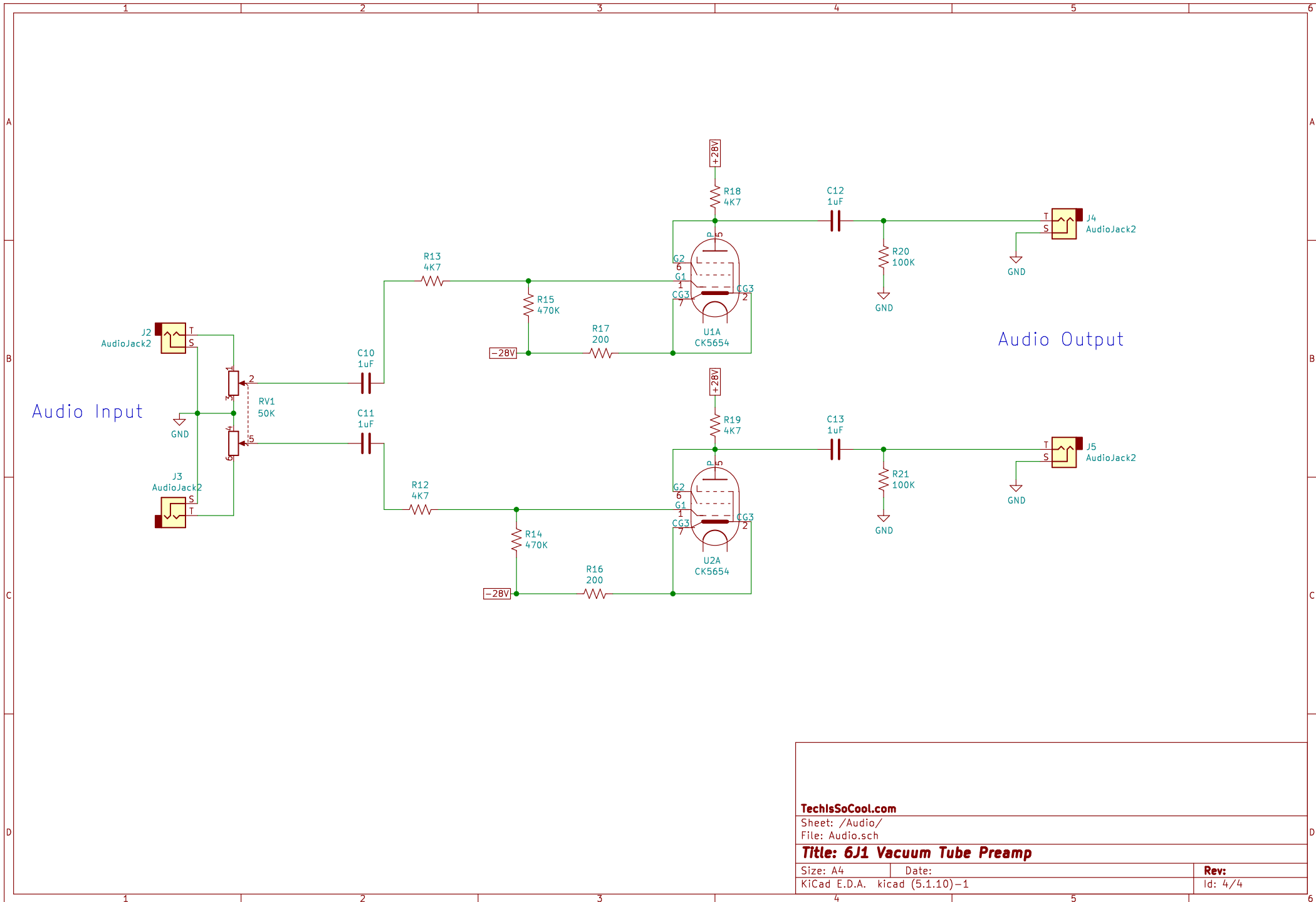
TechIsSoCool.com

Sheet: /TubePreAmpPower2/
File: TubePreAmpPower2.sch

Title: 6J1 Vacuum Tube Preamp

Size: A4 Date:
KiCad E.D.A. kicad (5.1.10)-1

Rev:
Id: 3/4



TechIsSoCool.com

Sheet: /Audio/
File: Audio.sch

Title: 6J1 Vacuum Tube Preamp

Size: A4

Date:

KiCad E.D.A. kicad (5.1.10)-1

Rev:

Id: 4/4